

10 PCS YOUR PARTNER IN MEDICAL SUPPLIES

FOR USE WITH U-100 INSULIN ONLY  
• Ultra-sharp needle tip minimizes patient discomfort  
• Cartridge slides to lock needle into safety position  
• Safety feature ensures protection against stick injuries  
• Double-wing design  
• Sterile and individually packaged  
• Single-use only  
• Latex-free, DEHP-free

NON-TOXIC NON-PYROGENIC

INSULIN SYRINGE WITH NEEDLE  
0.3mL 31Gx5/16"

MedZonHealth  
An Alsaadi Holding Company

REF MZH-VT-118  
LOT YYYMMxxx  
YYY-MM-DD

MedZonHealth

REF MZH-VT-118  
LOT YYYMMxxx  
YYY-MM-DD

INSULIN SYRINGE WITH NEEDLE  
0.3mL 31Gx5/16"

MedZonHealth

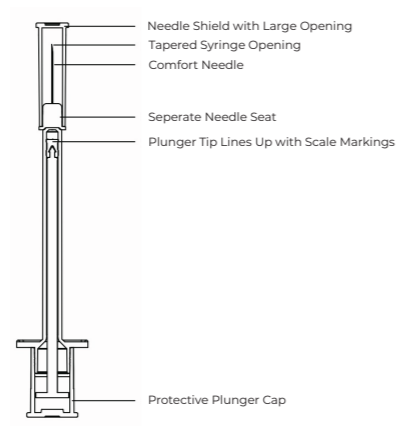
REF MZH-VT-118  
LOT YYYMMxxx  
YYY-MM-DD

INSULIN SYRINGE WITH NEEDLE  
0.3mL 31Gx5/16"

EasyCare  
INSULIN SYRINGE WITH NEEDLE  
0.3mL 31Gx5/16"

NON-TOXIC NON-PYROGENIC

FOR USE WITH U-100 INSULIN ONLY



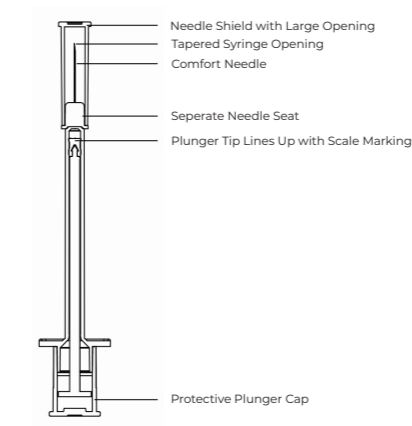
Rx Only  
STERILE EO  
STERILE  
LATEX DEHP BPA  
QR Code: (01)00810106252872  
(17)00101  
(10)yyyymmxxx

Designed in California, USA | Made in China  
\*All Marks are the property of MedZon Health.\* All rights reserved copyright 2023.

EasyCare  
INSULIN SYRINGE WITH NEEDLE  
0.3mL 31Gx5/16"

NON-TOXIC NON-PYROGENIC

FOR USE WITH U-100 INSULIN ONLY



FOR USE WITH U-100 INSULIN ONLY  
WARNING: Discard used syringe in sharps container in accordance with facility, local, state, and national regulations. Do not use if protective cap is missing.  
CAUTION: Do not resheat used needles. Dispose of used needles and syringes in a sharps container. Do not store at extreme temperatures or humidity.

\*\*\*  
MedZonHealth  
A Proud Sponsor of Talia Foundation

100 PCS YOUR PARTNER IN MEDICAL SUPPLIES

888-909-0535 | www.medzonhealth.com

100 PCS YOUR PARTNER IN MEDICAL SUPPLIES

120 Newport Center Drive, Newport Beach CA 92660

Production Notes:  
DI = (01)00810106252872  
PI = (17) To be entered during production  
PI = (10) To be entered during production  
GS1 DataMatrix 2D barcode is generated from this data.